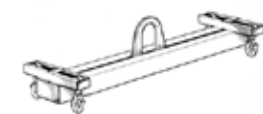




fixed

SVT

page 30



fixed I-shaped

CDMA

page 30



multi-position adjustable

RAC

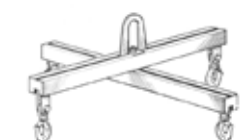
page 31



continuous adjustable

RBC

page 31



double spreaders

PSD

page 32



fixed semi-lifting beams

SVS

page 33



double semi-lifting beams

RSP

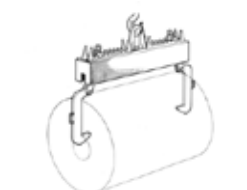
page 33



for sheets

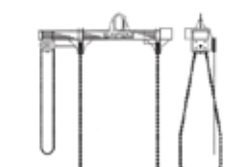
LT

page 34



adjustable spreaders for coils

page 32



lifting beams for tilting

page 34



Meet European Directive 2006/42/EC essential requirements
Comply with Standard NF/EN 13155



Non load-bearing welds
Non welded hook pins
Steel plates with resilience at -20°C

Among our productions:



Double spreadbeam

- ✓ SWL 7,5 t
Lifting of two parts at the same time
- ✓ Clamping without compression
Secured clamping
Operation performed by one person
Important time savings



Half automatic spread beam

- ✓ SWL 7 t
Automatic closing and opening
- ✓ Allows stacking
Operation performed by one person
Important time savings



Load beam for bogeys

- ✓ SWL 1,5 t
Adjustable
Secured clamping by wheels



SAFETY + ERGONOMICS

- ✓ Automatic closing and opening
Fully mechanical automatic system (no electrical engine, no hydraulic device)
Clamping system adapted to load
- ✓ Avoid presence of operator in dangerous zones
Secured against impacts
Important time savings

This lifting beam is designed to meet the demand for the following main requirements :

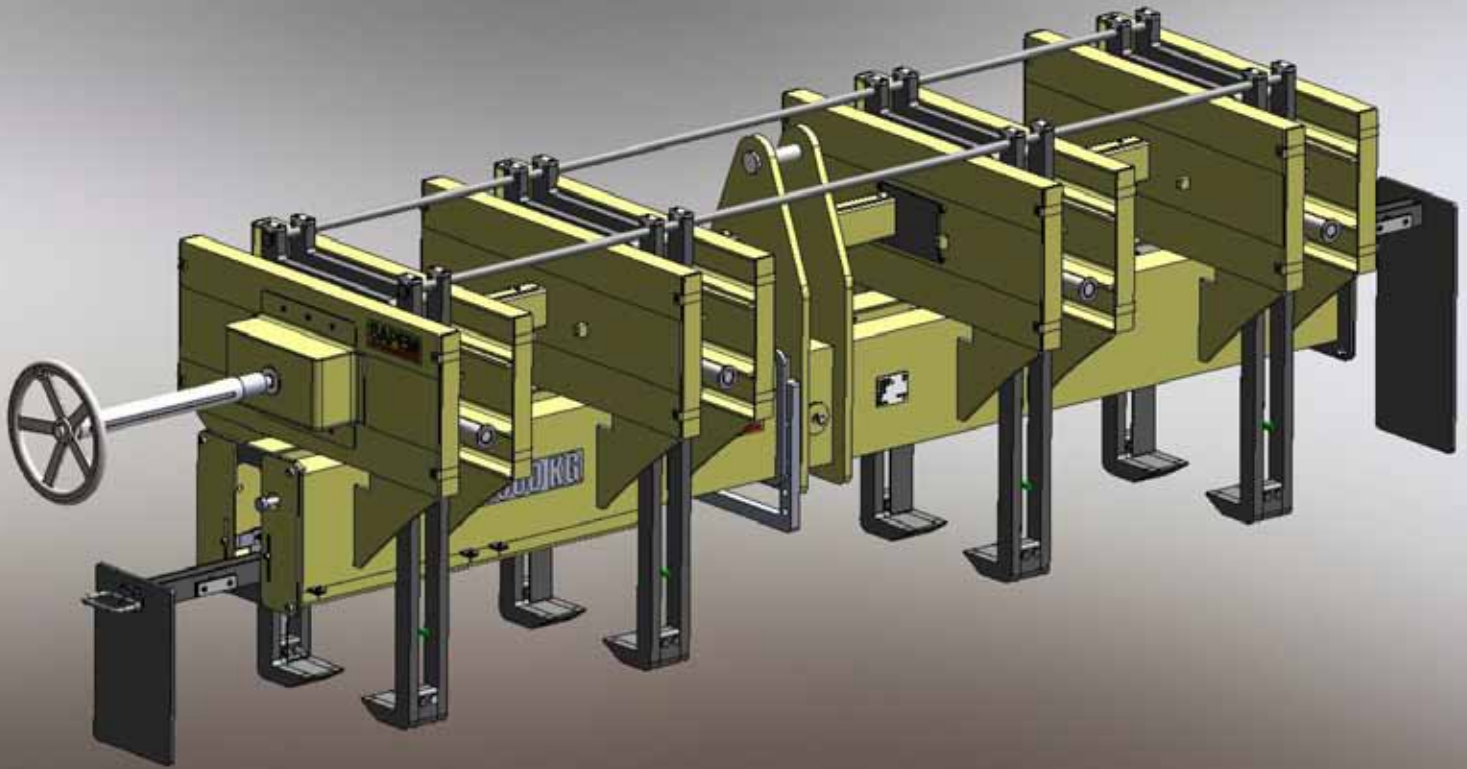
- Avoid the operator to work in dangerous situations (risk of falling 4 m)
- Having a system to secure grip, even when vertically upward pulse due to shock.



The secured automatic lifting beam of SAPEM meets the requirements, using only mechanical solutions, and , in addition, brings the following advantages :

- Automatic closing and opening
- Self-centering to taking the pieces
- High tolerance to the position of the piece when taking (tilt-roll)
- No degradation of the piece by clamping effect
- No wear on the rubber bearing pads
- Important time savings
- Very low maintenance

The system avoids the disadvantages of systems made by clamping (shock sensitive), and is adequate for many applications.



SAFETY + ERGONOMICS

- ✓ Loading-unloading of metal sheet bundles of multiple sizes
Secured longitudinally and laterally
Self-centering of load
- ✓ Avoids sliding of metal sheet
Compact
Operated by one person
Important time savings

This lifting beam is designed to meet the demand for the following main requirements :

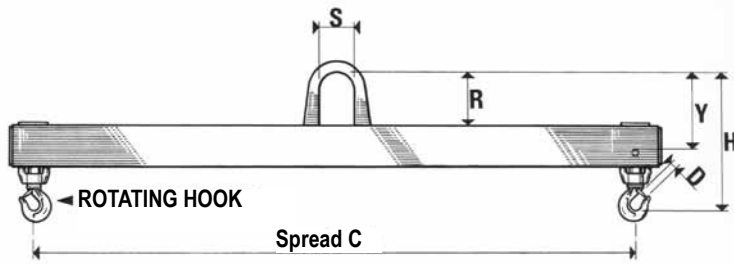
- Fast and secured unloading of metal sheet bundles from a truck
- Capability of multiformat (length and width) metal sheet bundles
- Minimum lost area between two bundles
- All operations performed at one end
- Compatibility with warehouse constraints

The load beam for metal sheets bundles of SAPEM meets the requirements, using only mechanical solutions, and , in addition, brings the following advantages :

- Logitudinal and lateral self centering of the load
- Balanced load regardless of the format
- Possibility of motorization
- Very low maintainance



Fixed lifting beam SVT



Double central beam making a box

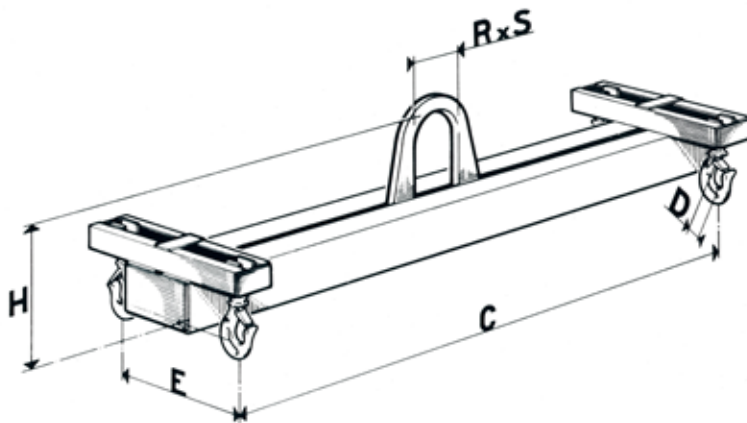
Hooks allowing slings with an angle of max 45°

Safety coefficient : 6

Special models and capacity (force) on request.

SWL kg	Spread C mm	R mm	S mm	H mm	D	Mass kg	SAPEM code
1 000	1 000	170	120	340	17	35	9076A
	1 500			360		45	9076B
2 000	1 000	170	120	380	22	40	9076C
	1 500			400		65	9076D
	2 000			420		95	9076E
3 000	1 000	215	150	470	24	70	9076F
	1 500			490		100	9076G
	2 000	510		110		9076H	
	3 000	290		620		185	9076J
4 000	1 500	215	150	530	28	120	9076K
5 000	1 500			580		36	135
	2 000			600	170		9076M
	3 000	290		710	305		9076N

Fixed lifting beam CDMA



Double central beam making a box

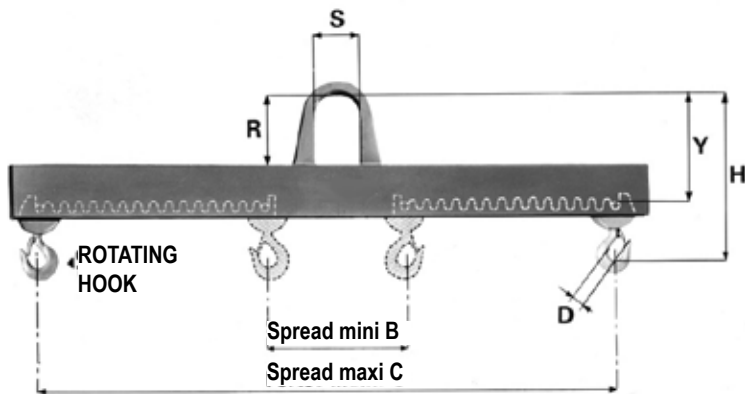
Safety coefficient : 6

Special models and capacity (force) on request.

SWL kg	Spreads C x E mm	R mm	S mm	H mm	D	Mass kg	SAPEM code
1 000	1 000 x 260	215	150	480	22	35	534A
	1 500 x 260			500		55	534B
2 000	1 000 x 300	215	150	520	22	55	534C
	1 500 x 300			540		75	534D
	2 000 x 300			290		610	100
3 000	1 000 x 350	215	150	540	24	65	534F
	1 500 x 350			580		100	534G
	2 000 x 350	290		680		135	534H
	3 000 x 350	390		820		200	534J
4 000	1 000 x 350	215	150	610	26	75	534K
5 000	1 000 x 400			630		26	90
	1 500 x 400	670		140	534M		
	2 000 x 400	290		760	160		534N
	3 000 x 400	390	900	290	534P		

Equipment meeting the essential requirements of European Directive 2006/42/CE and Standard NF EN 13155.
Supplied with "CE" certificate of conformity.

Adjustable lifting beam RAC

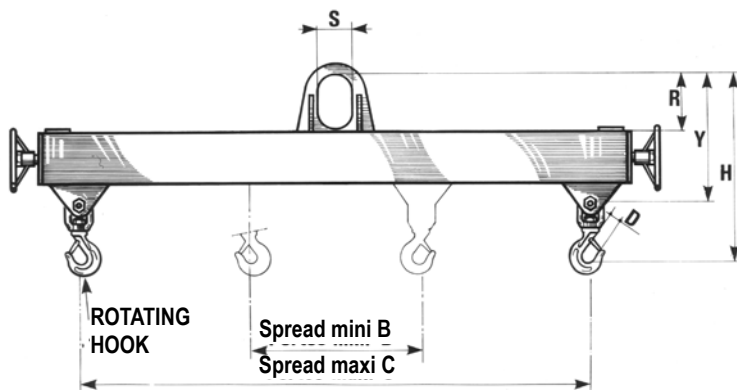


- Fast balancing of loads.
- Spread adjustable stepwise.
- Double central beam making a box
- Hooks allowing slings with an angle of max 45°
- Safety coefficient : 6

Special models and capacity (force) on request.

SWL kg	Spreads B / C mm	R mm	S mm	H mm	D	Mass kg	Pitch mm	SAPEM code
1 000	475 / 1 000	170	120	340	17	40	37.5	9053A
	450 / 1 500			360		50		9053B
2 000	460 / 1 000	170	120	380	22	45	45	9053C
	420 / 1 500			400		65		9053D
	470 / 2 000			420		95		9053E
3 000	580 / 1 000	215	150	470	24	50	52.5	9053F
	555 / 1 500			490		75		9053G
	530 / 2 000			510		115		9053H
	585 / 3 000			290		620		220
4 000	660 / 1 500	215	150	530	28	110	62.5	9053K
5 000	750 / 1 500			580		110		9053L
	750 / 2 000	600	36	170	9053M			
	750 / 3 000	290	710	300	9053N			

Adjustable lifting beam RBC



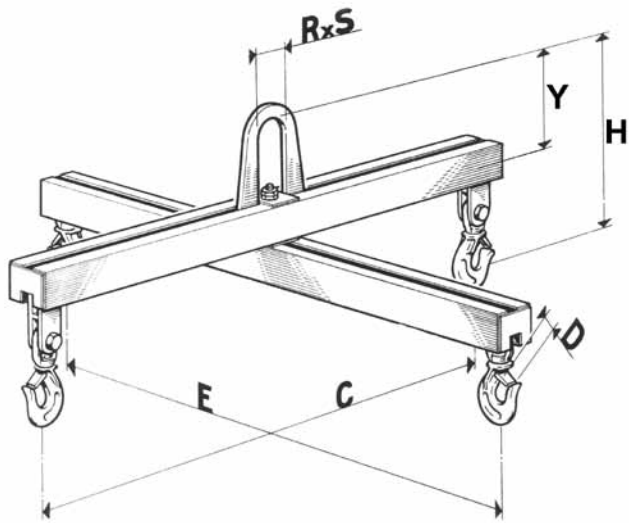
- Fast balancing of loads
- Spread continuously adjustable (2 independant screws).
- Double central beam making a box
- Hooks allowing slings with an angle of max 45°
- Safety coefficient : 6

Special models and capacity (force) on request.

SWL kg	Spreads B / C mm	R mm	S mm	H mm	D mm	Mass kg	SAPEM code
1 000	500 / 1 000	170	120	420	17	45	9057A
	500 / 1 500			440		60	9057B
2 000	500 / 1 000	170	120	480	22	65	9057C
	550 / 1 500			500		100	9057D
	600 / 2 000			520		125	9057E
3 000	600 / 1 000	215	150	570	24	100	9057F
	650 / 1 500			590		135	9057G
	700 / 2 000			610		170	9057H
	800 / 3 000			290		720	260
4 000	650 / 1 500	215	150	650	28	190	9057K
5 000	700 / 1 500			730		210	9057L
	800 / 2 000	750	36	240	9057M		
	900 / 3 000	290	890	400	9057N		

Equipment meeting the essential requirements of European Directive 2006/42/CE and Standard NF EN 13155.
Supplied with "CE" certificate of conformity.

Double lifting beam PSD

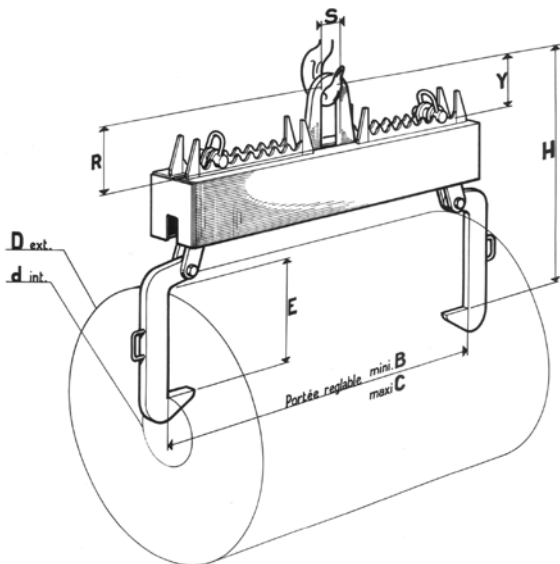


Adjustable spread on requets.
Safety coefficient : 6

Special models and capacity (force) on request.

SWL kg	Spreads C & E mm	R mm	S mm	H mm	D mm	Mass kg	SAPEM code			
1 000	1 000	170	120	490	17	70	539A			
	1 500					90	539B			
2 000	1 000			580		620	85	539C		
	1 500						120	539D		
	2 000						150	539E		
3 000	1 000			215		150	665	22	105	539F
	1 500	140	539G							
	2 000	210	539H							
	3 000	330	539J							
4 000	1 000	215	150	710	24	150	539K			
5 000	1 000			795		835	875	28	190	539L
	1 500								220	539M
	2 000								310	539N
	3 000	390	539P							

Adjustable lifting beam for coils



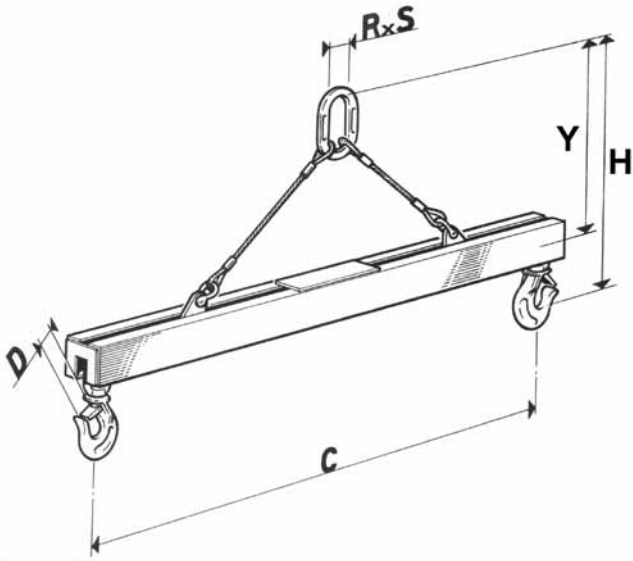
Double central beam making a box
Spread adjustable stepwise
Safety coefficient : 6

Special models and capacity (force) on request.

SWL kg	Spreads B / C mm	R x S mm	H mm	E mm	Mass kg	SAPEM code
5 000	650 / 1550	250 x 150	1 050	400	160	9096A
10 000	700 / 1850	250 x 150	1 200	500	320	9096B
15 000	700 / 2000	300 x 150	1 400	600	500	9096C
20 000	80 / 2000	400 x 200	1 650	700	700	9096D

Equipment meeting the essential requirements of European Directive 2006/42/CE and Standard NF EN 13155.
Supplied with "CE" certificate of conformity.

Fixed semi-lifting beam SVS



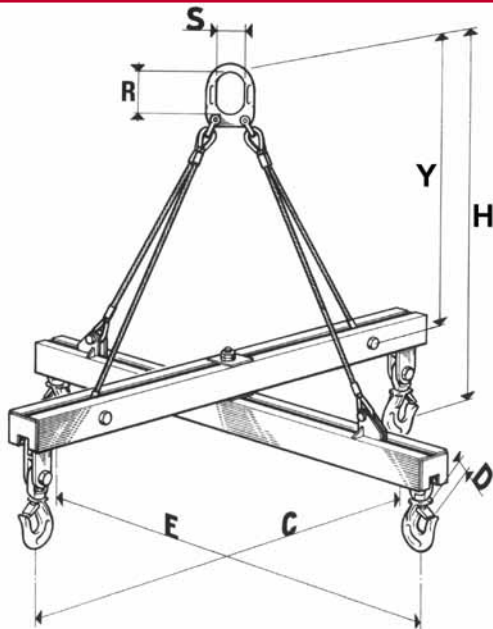
Adjustable spread on request.

Safety coefficient : 6

Special models and capacity (force) on request.

SWL kg	Spread C mm	R mm	S mm	H mm	D mm	Mass kg	SAPEM code
1 000	1 000	140	70	900	17	30	522A
	1 500					35	522B
2 000	1 000	160	80	1 000	22	35	522C
	1 500					50	522D
	2 000					75	522E
3 000	1 000	190	95	1 300	24	65	522F
	1 500					85	522G
	2 000					110	522H
	3 000					180	522J
4 000	1 000	200	100	1 400	28	90	522K
5 000	1 000	210	105	1 450	36	120	522L
	1 500					140	522M
	2 000					160	522N
	3 000					200	522P

Double semi-lifting beam RSP



Adjustable spreads on request.

Safety coefficient : 6

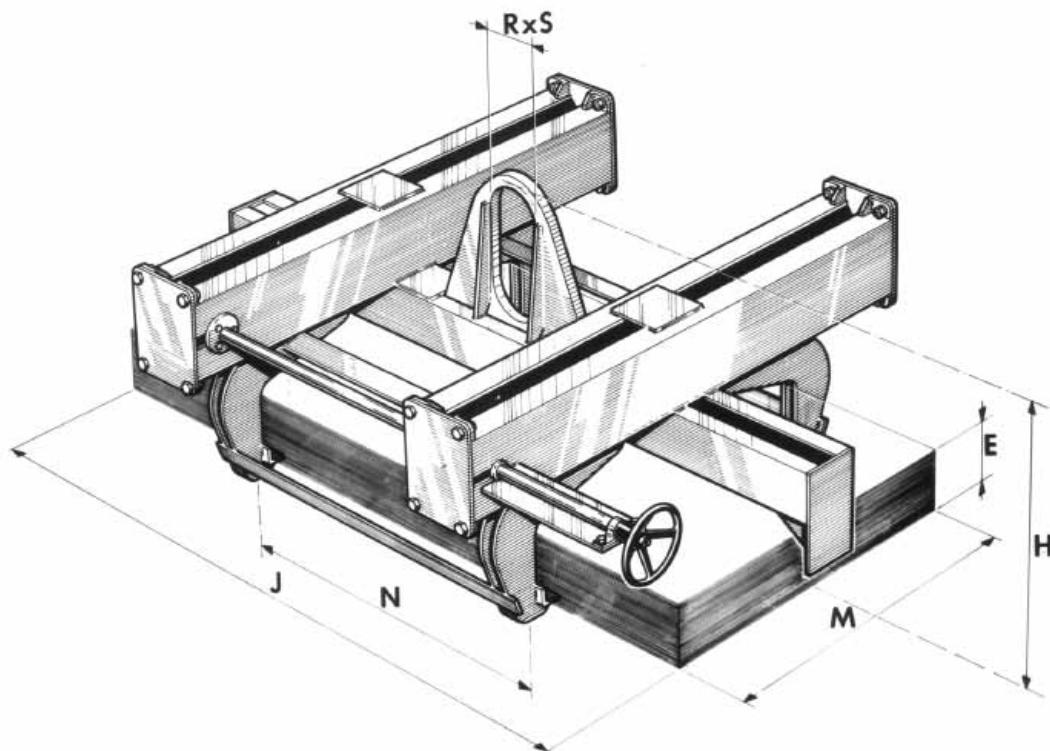
Special models and capacity (force) on request.

SWL kg	Spreads C & E mm	R mm	S mm	H mm	D mm	Mass kg	SAPEM code
1 000	1 000	105	70	700	17	55	1527A
	1 500			900		70	1527B
2 000	1 000	135	90	800	22	65	1527C
	1 500			1 100		90	1527D
	2 000			100		1527E	
3 000	1 000	150	100	900	24	80	1527F
	1 500			1 300		110	1527G
	2 000			1 800		160	1527H
	3 000			250		1527J	
4 000	1 000			1 100	24	120	1527K
5 000	1 000	158	105	1 150	28	150	1527L
	1 500			1 500		170	1527M
	2 000			2 000		235	1527N
	3 000			2 500		300	1527P

Equipment meeting the essential requirements of European Directive 2006/42/CE and Standard NF EN 13155.
Supplied with "CE" certificate of conformity.

Lifting beam for sheets LT

Code 9098



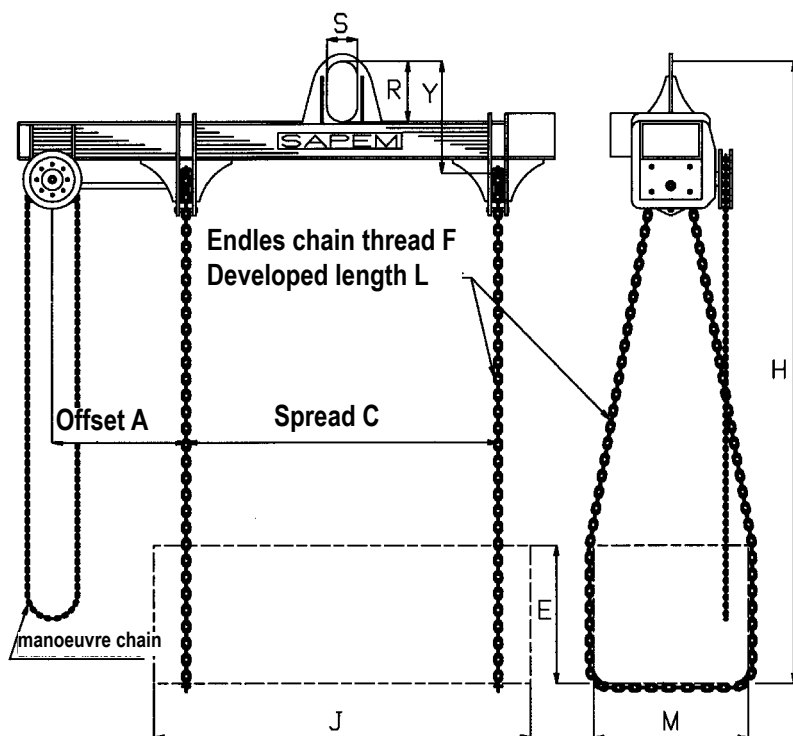
Safety coefficient : 6

Special models and capacity (force) on request.

Lifting beam for tilting

with manoeuvre chain

Code 9100



Smooth tilting of the load – no brutal movement.
The system stays still as soon as the chain is released.

For all request, please give dimensions E, M, J or the diametre of the loads

Equipment meeting the essential requirements of European Directive 2006/42/CE and Standard NF EN 13155.
Supplied with "CE" certificate of conformity.

45, rue Maurice Berteaux
78600 Le Mesnil-le-Roi
www.sapem-sa.com

SAPEM

Tél. : +33 1 30 86 55 55
Fax. : +33 1 39 13 63 02
E-mail : sapem@sapem-sa.com